

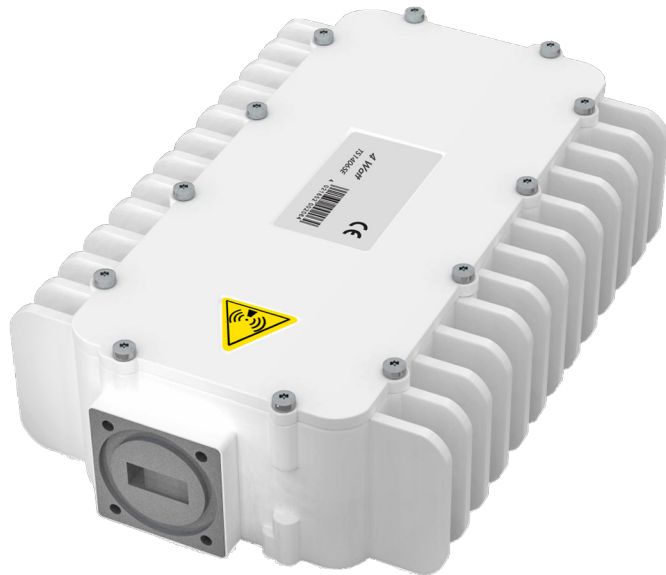


# TS1406

## Ku-Band 4 Watt VSAT BUC

### TS1406

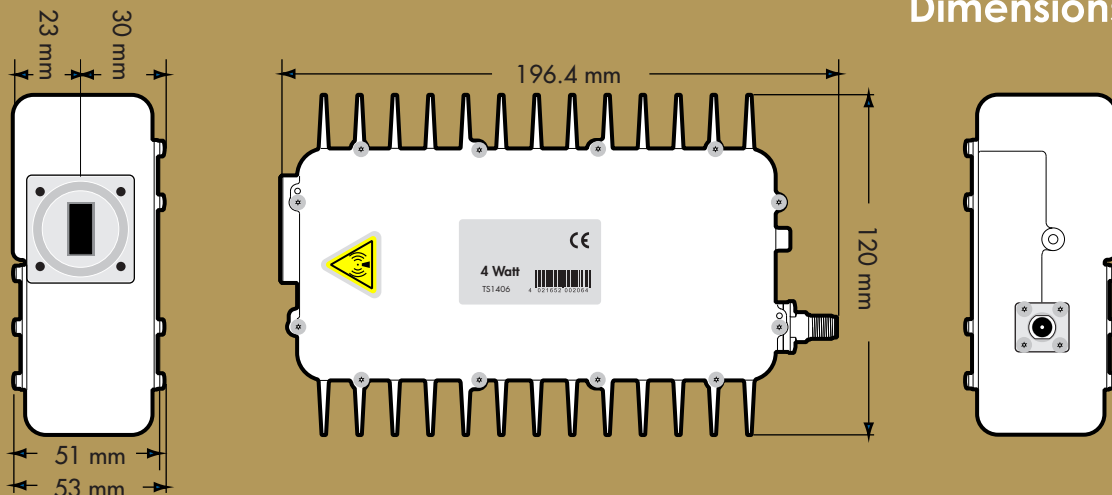
#### Ku-Band 4W BUC



- Low Cost Constant Gain VSAT BUC
- Low Local Oscillator Phase Noise
- Dual Loop PLL-Type Local Oscillator with External 10 MHz Reference
- Output Receive Reject Filtering
- Rugged Housing with High Thermal Margin, Compact Size
- O-ring, Hardware Included
- EN 301 428 & FCC 47 CFR 15/25 Compliant up to 2.4m Antenna
- CE Compliant
- RoHS Compliant



### Dimensions



## SPECIFICATIONS

TS1406

Ku-Band 4 Watt VSAT BUC

### Block Up Converter with External Reference

Parameter		Minimum	Typical	Maximum	Unit	Note
IF Input Frequency Range		950		1450	MHz	
RF Output Frequency Range		14.00		14.50	GHz	
Local Oscillator Frequency (Nominal)			13.05		GHz	nominal
Local Oscillator Integrated Phase Noise, 100 Hz - 1 MHz			1.0	2.0	deg	DSB rms phase jitter
Local Oscillator Reference Frequency			10		MHz	sine wave
RF Output Power	Psat	36.0	36.5		dBm	over all operational conditions
	P1dB	35.0	35.5		dBm	over all operational conditions
	P1dB	36.0	36.5		dBm	@25°C
RF Output ACPR @ Po = 34.5 dBm		26			dBc	
RF Output Spurious Level						Compliant with EN 301 428 as well as FCC 47 CFR Part 15/25 with 29-25 log θ antennas up to 2.4m aperture
RF Output Noise Density	8.30-10.35 GHz			-117	dBm/Hz	
	10.95-12.75 GHz			-162	dBm/Hz	
	13.75-14.75 GHz			-90	dBm/Hz	
Conversion Gain		52	55	58	dB	over frequency, operational conditions, and lifetime
IF Input Impedance			75		Ohm	
IF Input Return Loss		10			dB	
Supply Voltage		13		28	V	
Supply Power Consumption	carrier off			22	W	
	at Psat			30	W	
IF Input Connector						F-type female
RF Output Connector						WR75 flange, grooved (O-ring included)

### General Specifications

Parameter	Minimum	Typical	Maximum	Unit	Note
Weight		1200		g	
Operating Temperature	-40		55	°C	
Moisture/Humidity Protection					IP67



All designs, specifications and availabilities of products and services presented in this bulletin are typical and subject to change without notice.

SKTSE-016.2  
© 2014 Skyware Technologies